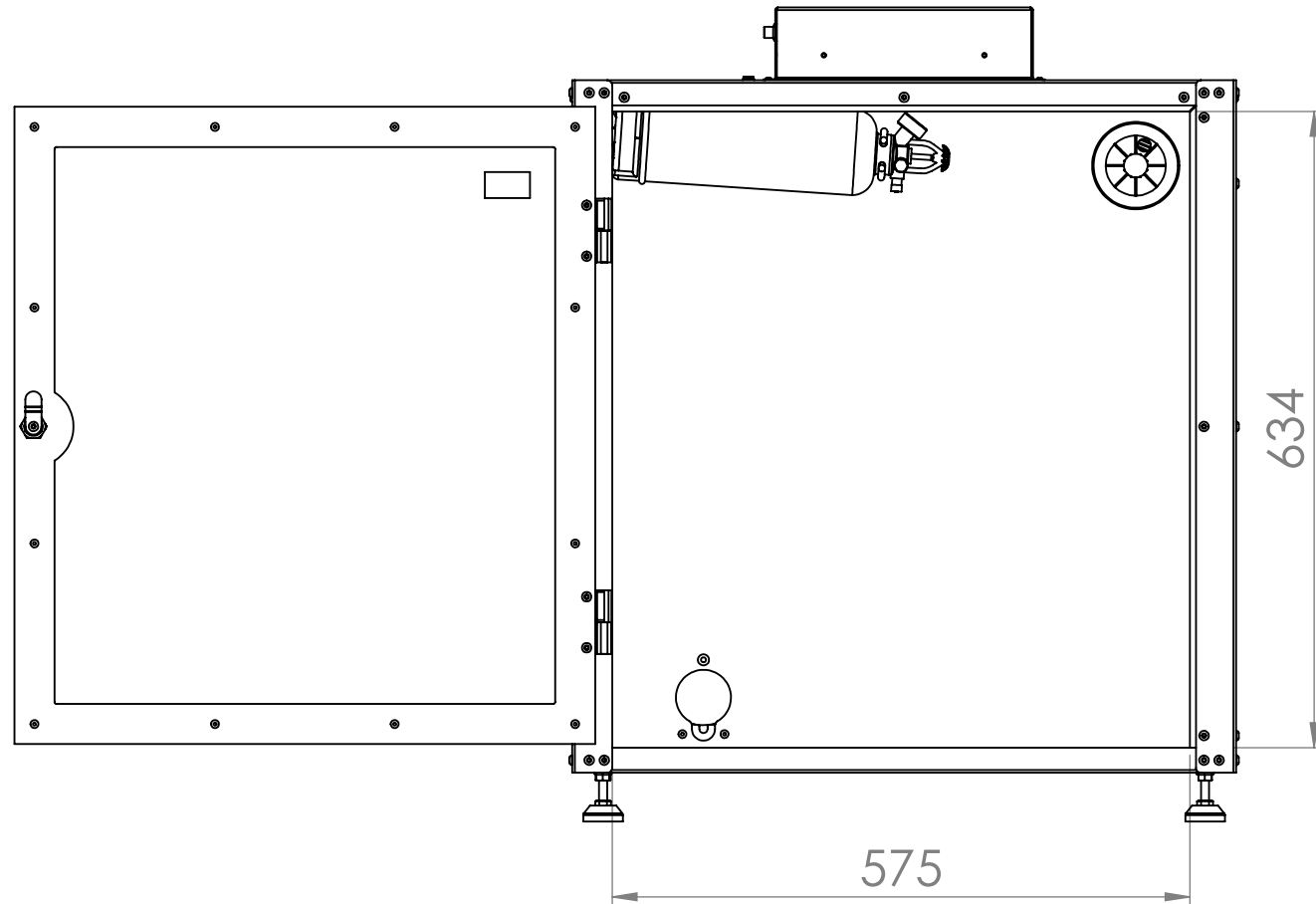
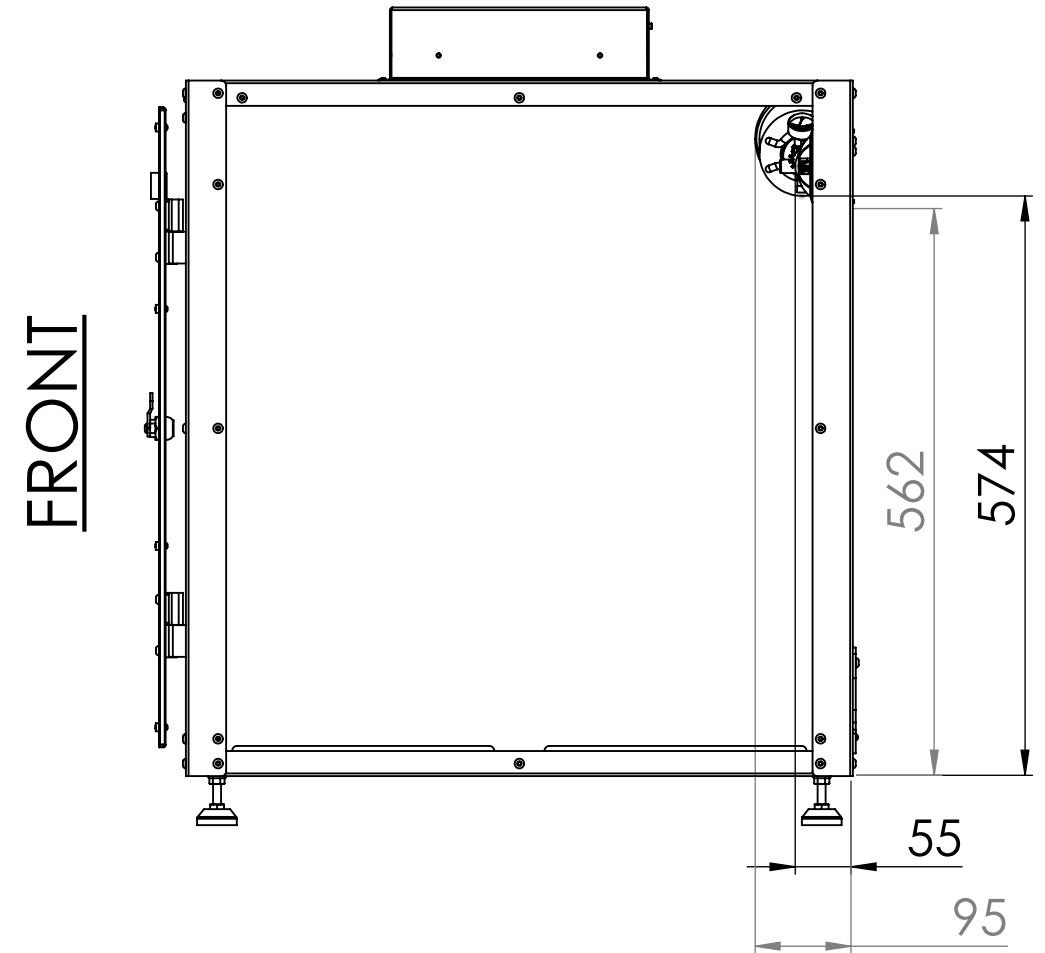


SC-01 INTERNAL DIMENSIONS

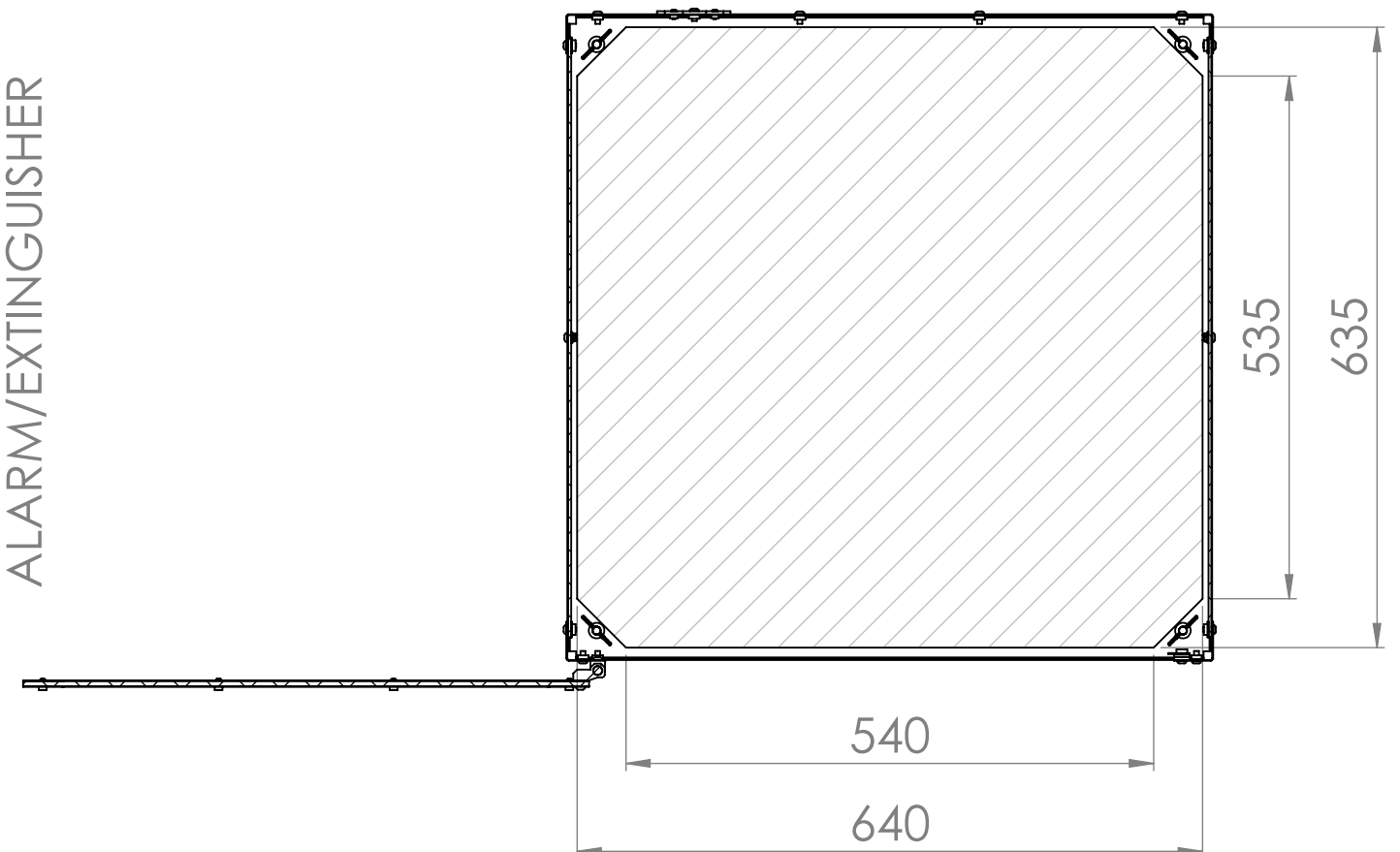
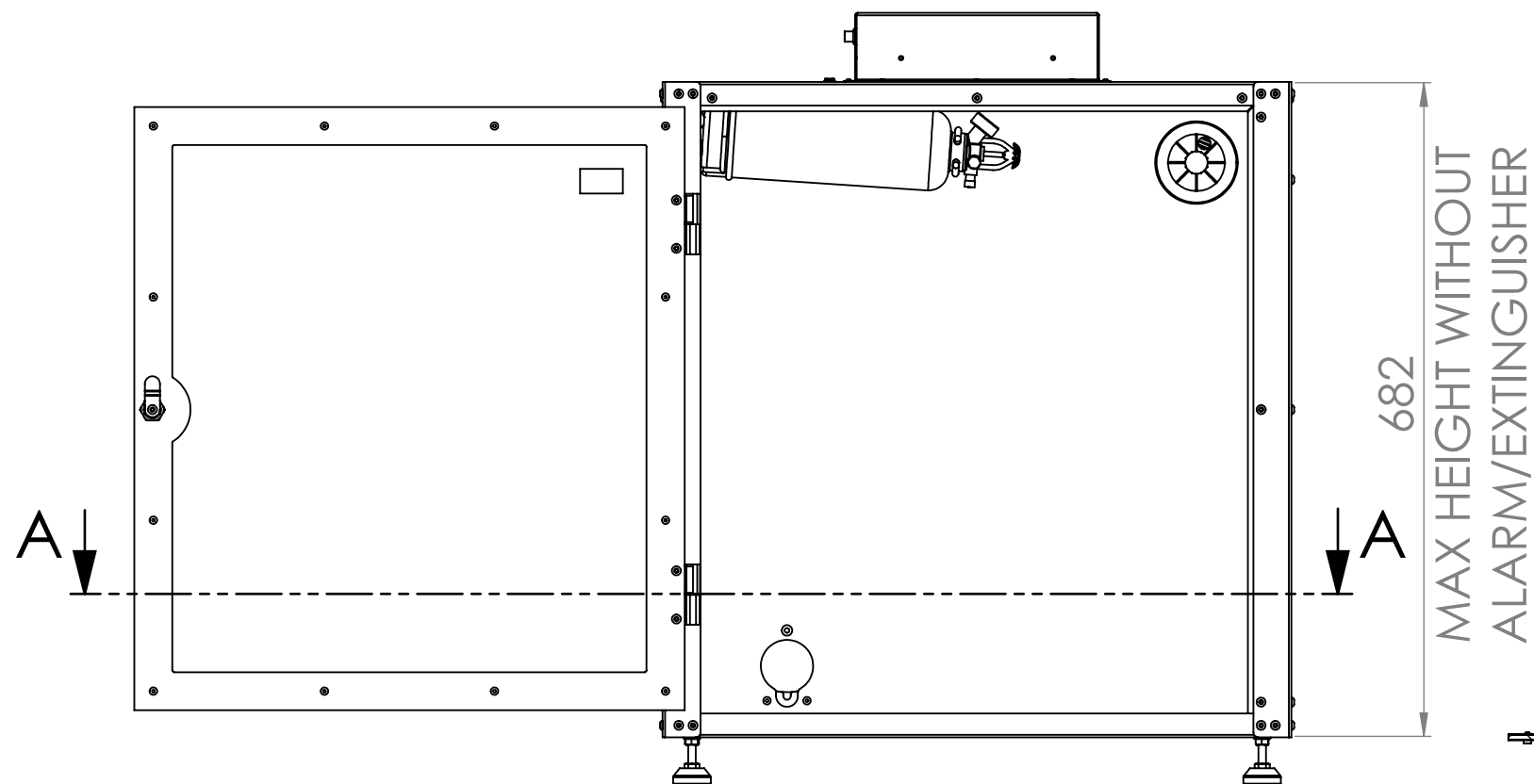
FRONT DOOR
APERTURE



ALARM/EXTINGUISHER
LOCATIONS



MAXIMUM
FOOTPRINT



SECTION A-A