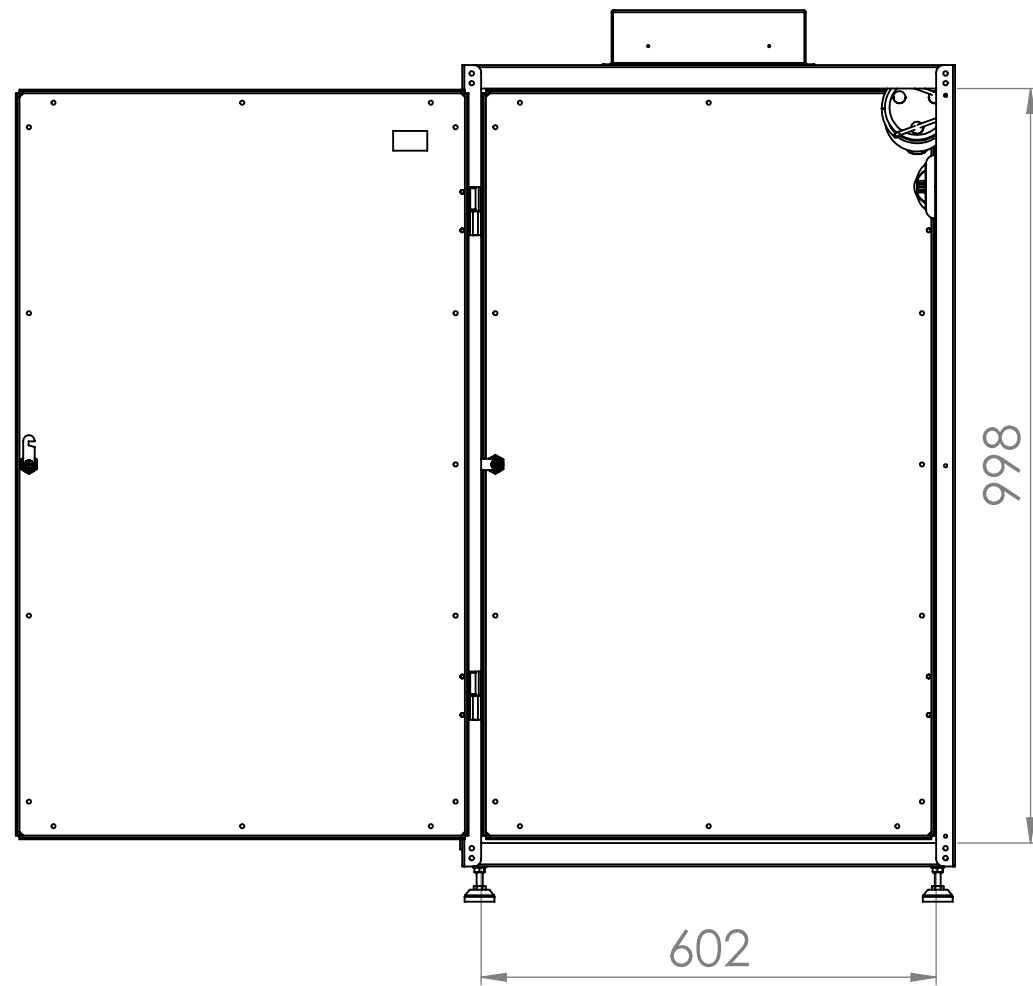
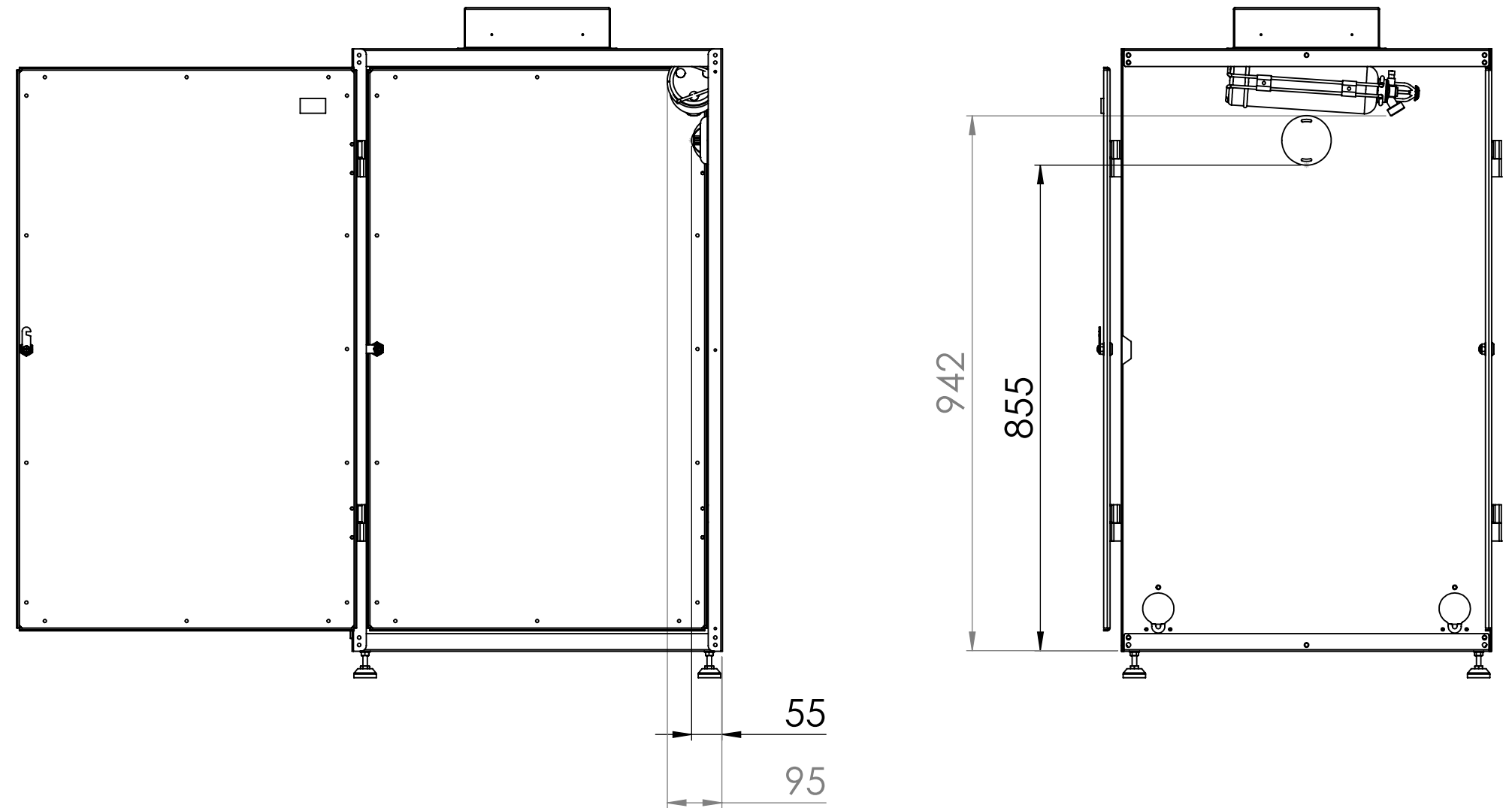


# SC-03 INTERNAL DIMENSIONS

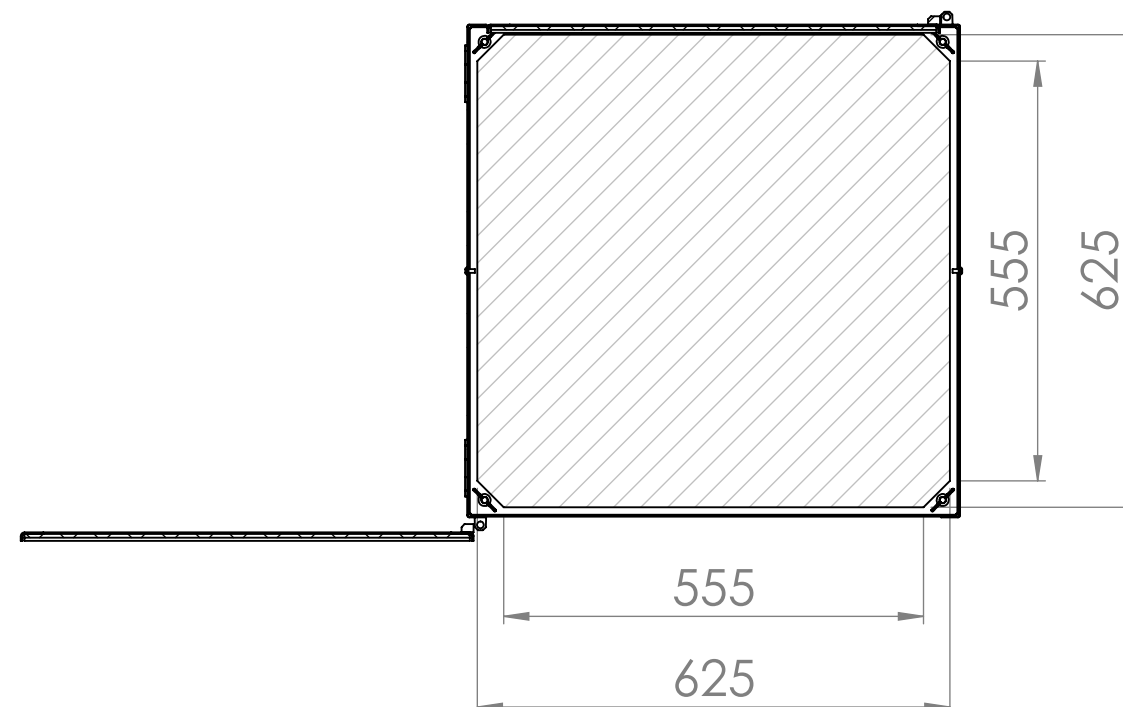
FRONT DOOR APERTURE



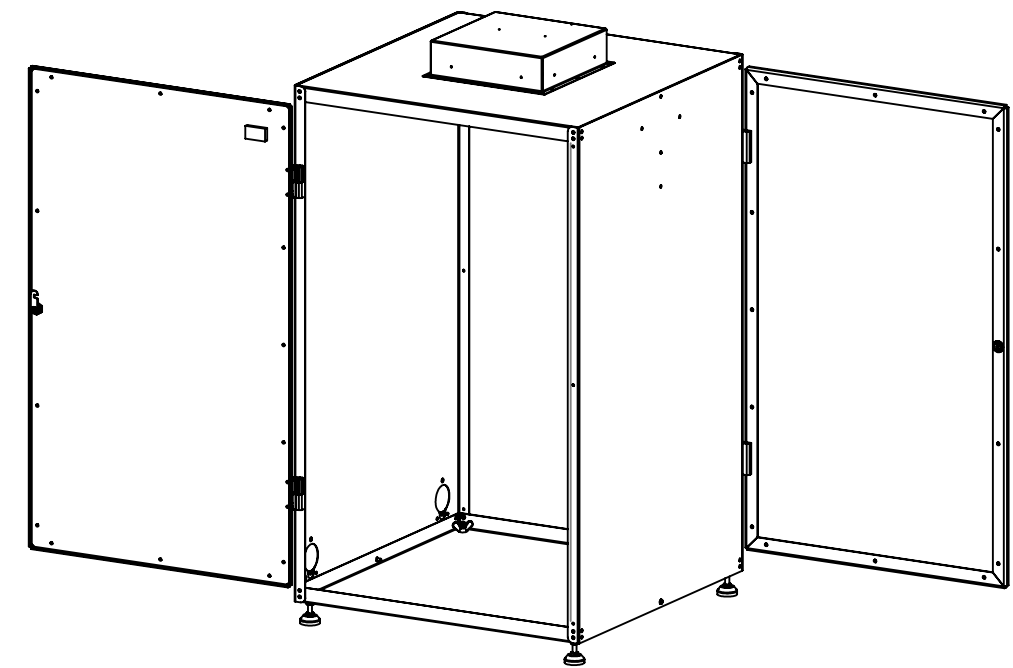
ALARM/EXTINGUISHER LOCATIONS



MAXIMUM FOOTPRINT



SECTION A-A



MAX HEIGHT WITHOUT  
ALARM/EXTINGUISHER

1052

A

A

A