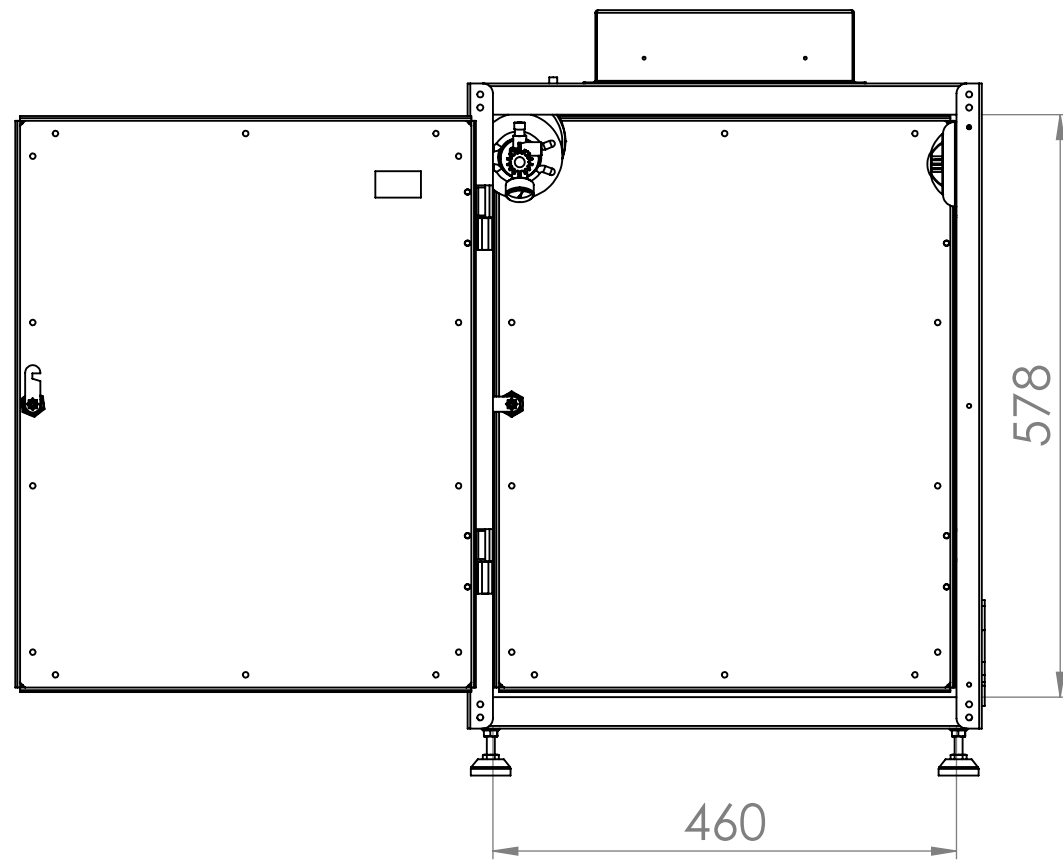
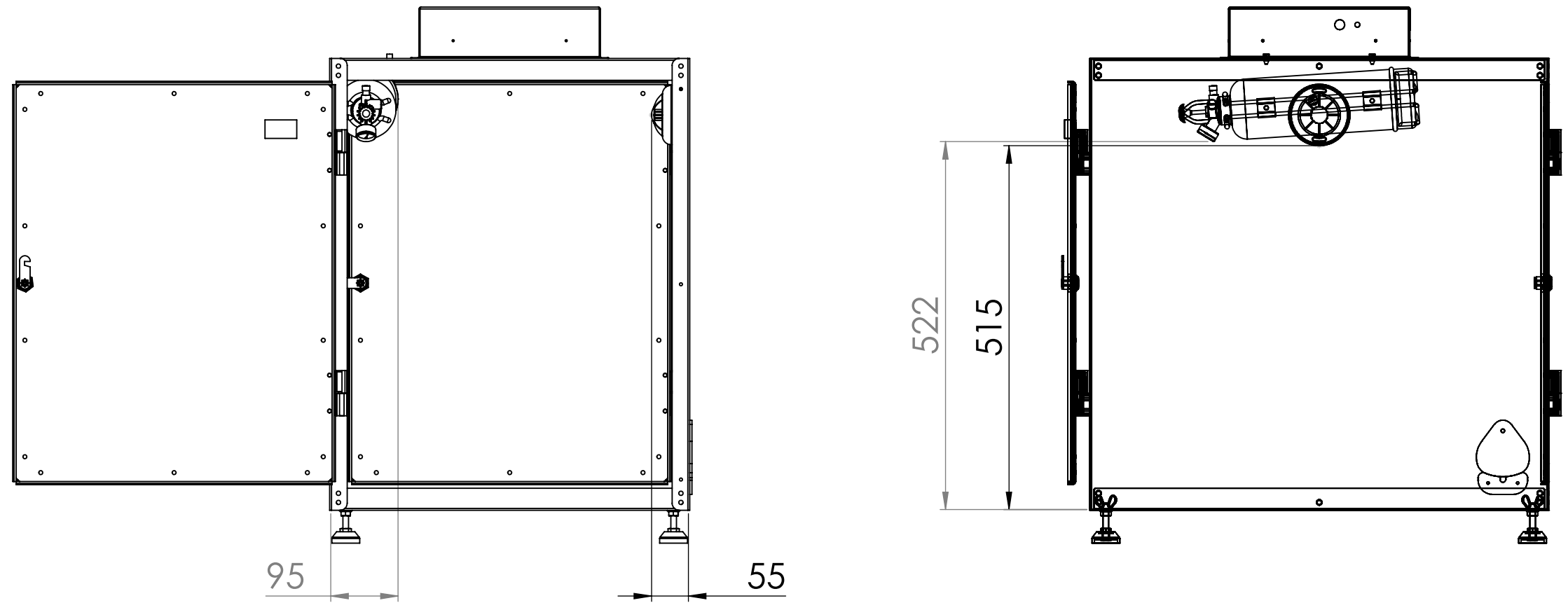


SC-04 INTERNAL DIMENSIONS

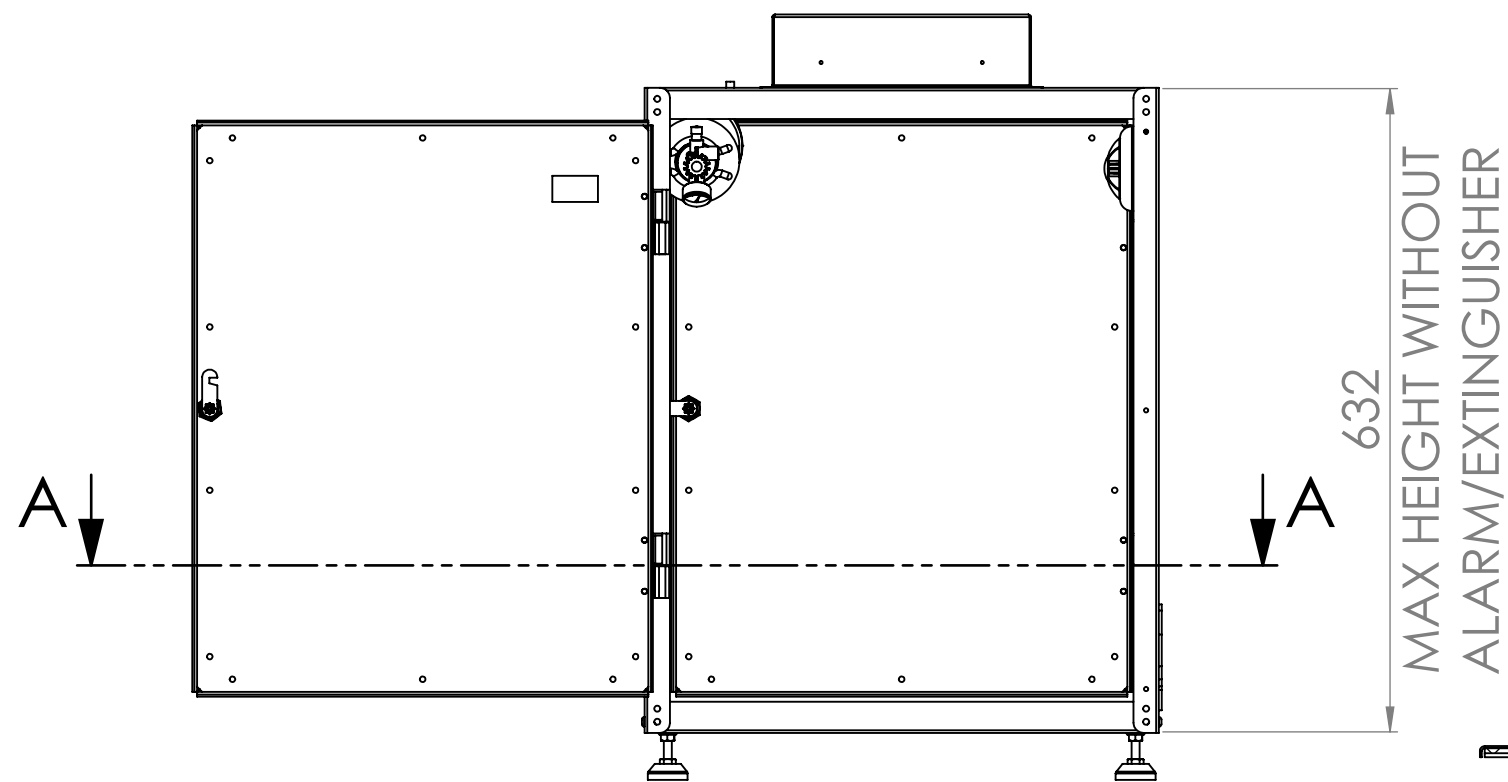
FRONT DOOR APERTURE



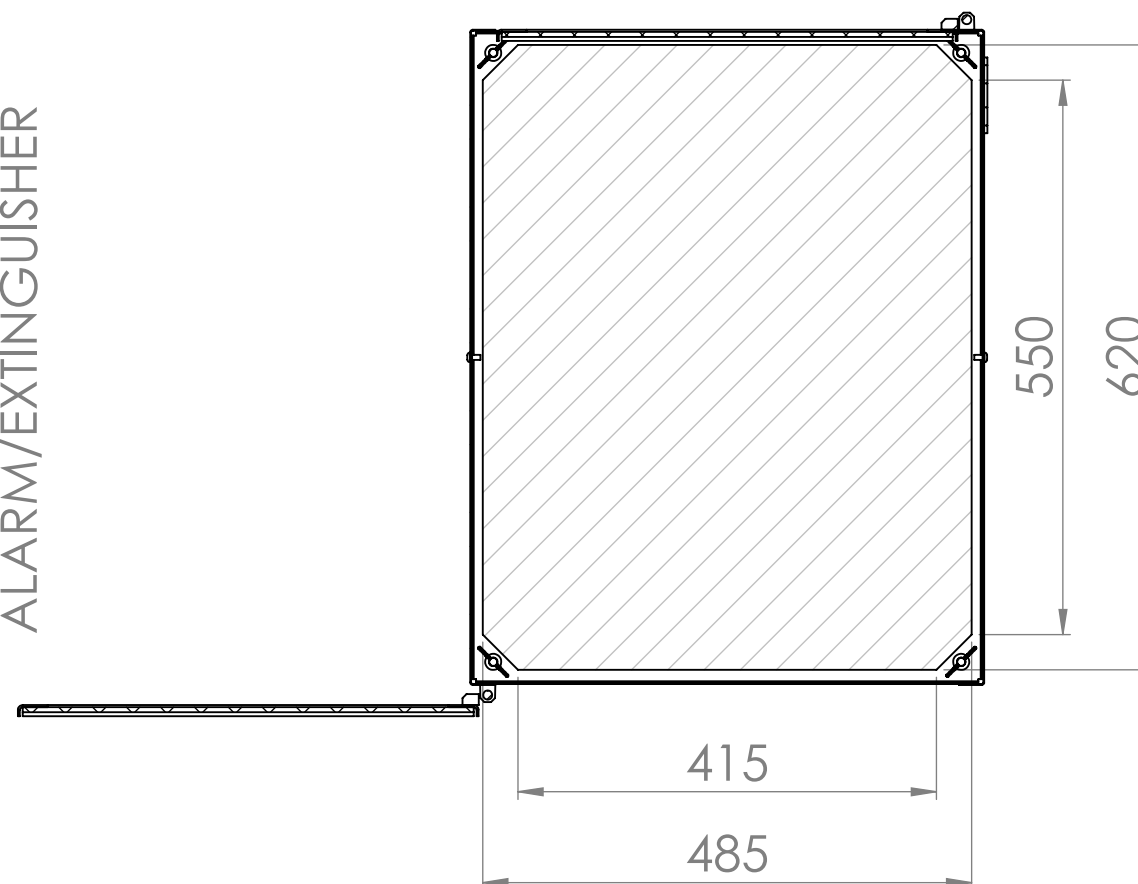
ALARM/EXTINGUISHER LOCATIONS



MAXIMUM FOOTPRINT



MAX HEIGHT WITHOUT
ALARM/EXTINGUISHER



SECTION A-A

